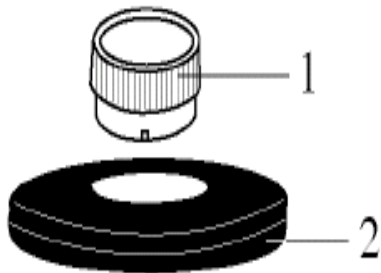
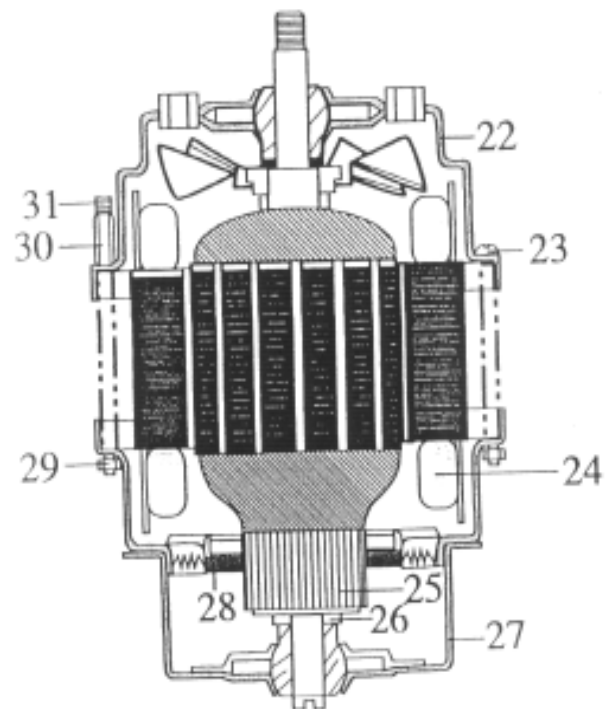
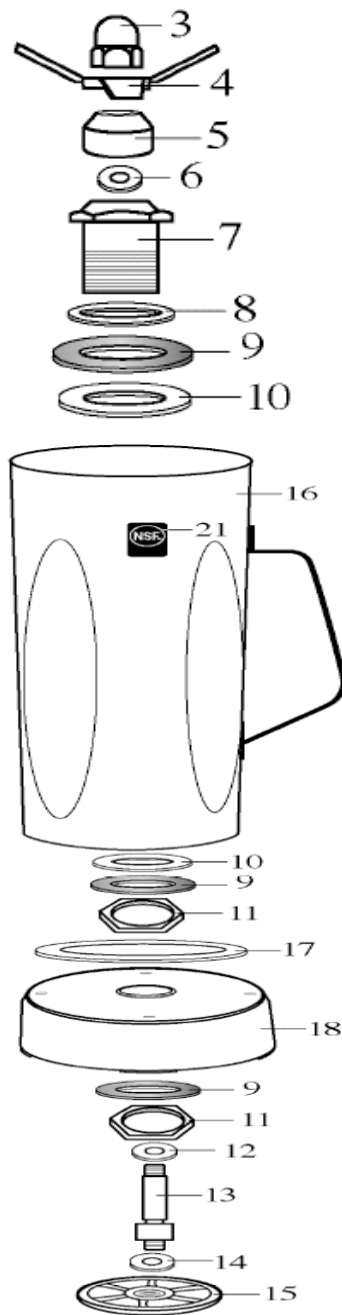


21/HGB55E stainless steel housing and stainless steel container

2 -litre blender



21/500664 2-piece lid



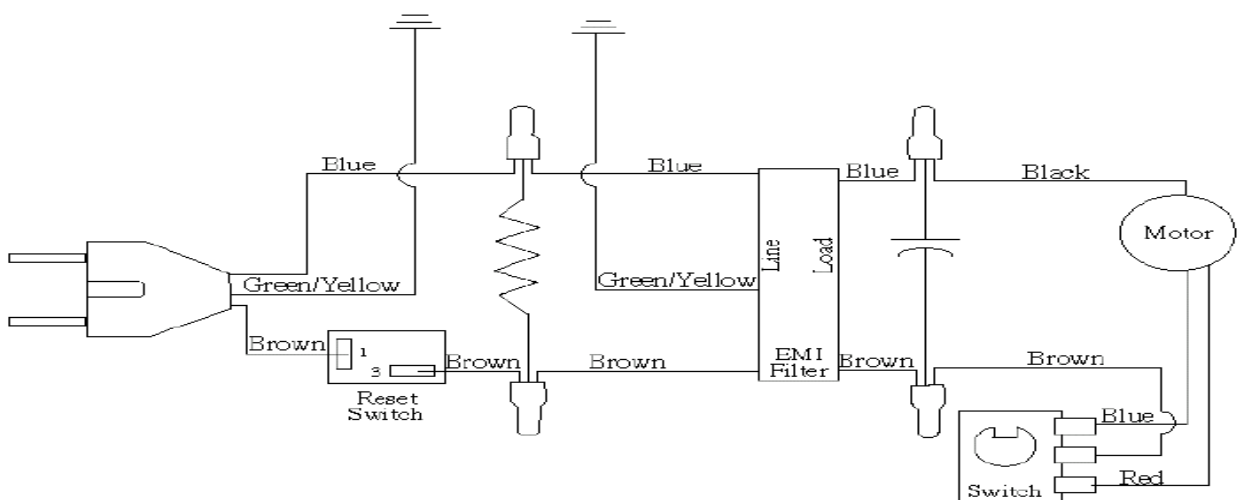
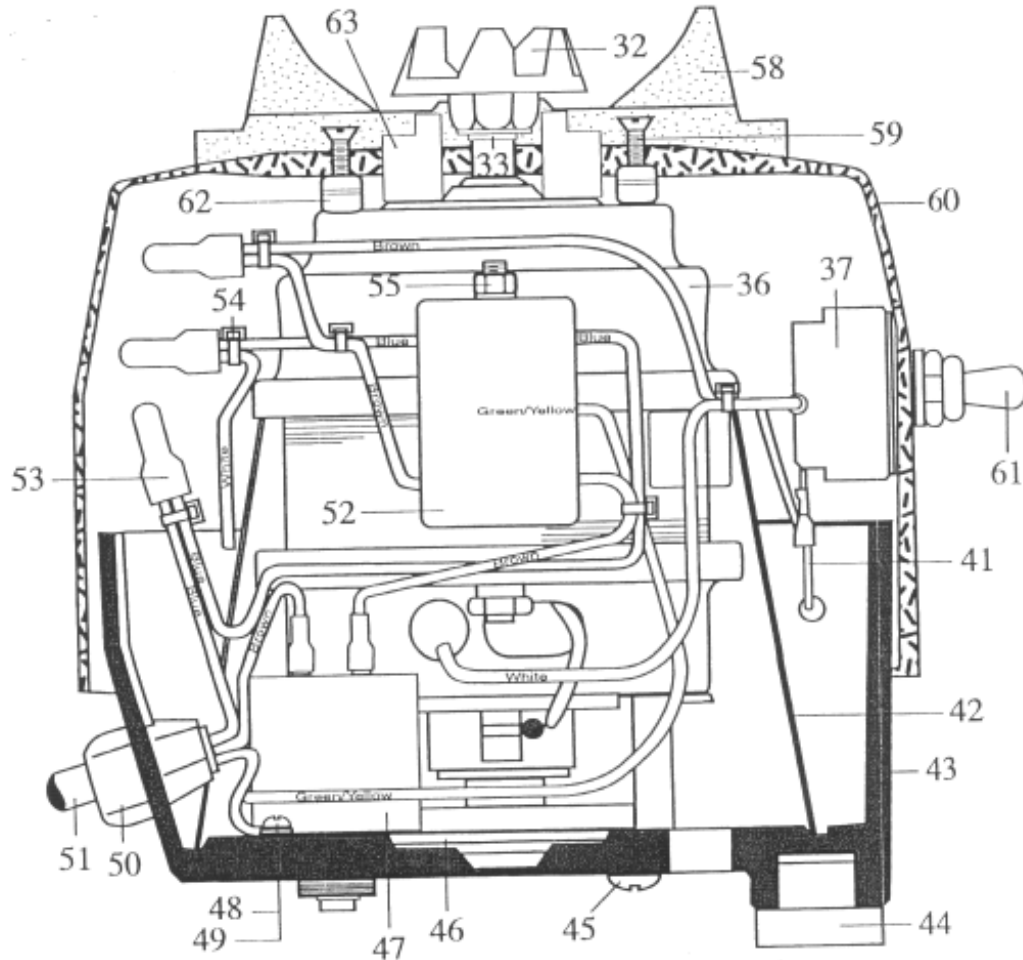
Complete Assemblies:

21/701401 Stainless steel container with blending assembly and lid for 2-litre blender

21/500625 Blending Assembly for 2-litre container

21/HGB55E with stainless steel container

2 -litre blender



Wiring Diagram for Metal Top Housing



Albany Road, Gateshead, NE8 3AT, UK  
 Tel: +44 (0) 191 478 8120 Fax: +44 (0) 191 490 0549  
 email: sales@christison.com web: www.christison.com

21/HGB55E with stainless steel container

Item No	Catalogue No	Description
		2 -litre blender
1	21/011700	Centre lid
2	21/013442	Outer lid
3	21/003504	Cap nut
4	21/013303	Blade
5	21/013405	Bearing cap
6	21/002903	Washer, fairprene
7	21/500581	Bearing holder
8	21/009724	Washer, nylon
9	21/003537	Washer, stainless steel
10	21/003509	Washer, neoprene
11	21/009780	Hex nut
12	21/003526	Washer, phenolic
13	21/014013	Drive shaft
14	21/003507	Washer, stainless steel
15	21/014014	Wheel coupling
16	21/007540	Stainless steel container
17	21/014915	Washer, rubber
18	21/014914	Container base
22	21/003553	Top end bell
23	21/007557	Screw
24	21/500666	Field
25	21/500866	Armature
26	21/003526	Washer, (4 required)
27	21/013368	Bottom end bell
28	21/003555	Brush and spring (2 required)
29	21/012369	Kep nut (2 required)
30	21/019213	Hex spacer
31	21/019212	Threaded rod
32	21/018999	Coupling
33	21/003507	Washer, stainless steel
34	21/007558	Screw (4 required)
36	21/704625	Motor
37	21/012698	Switch/toggle
40	21/014603	Washer, lint
41	21/501216	Lead/black and diode assembly
42	21/019224	Baffle
43	21/019221	Bottom housing
44	21/004090	Foot (4 required)
45	21/017239	Sems (4 required)
46	21/008324	Gasket
47	21/019091	Overload protector
48	21/002436	Screw (2 required)
49	21/002943	Washer (2 required)
50	21/019249	Strain relief
51	21/501983	Cord set
52	21/501985	EMI filter
53	21/012409	Crimp connector (3 required)
54	21/013731	Cable tie (6 required)
55	21/012369	Kep nut
58	21/008821	Jar support
59	21/007559	Screw (4 required)
60	21/016508	Top housing
61	21/012703	Switch seal/boot
62	21/008392	Spacer (4 required)
63	21/019935	Housing Seal