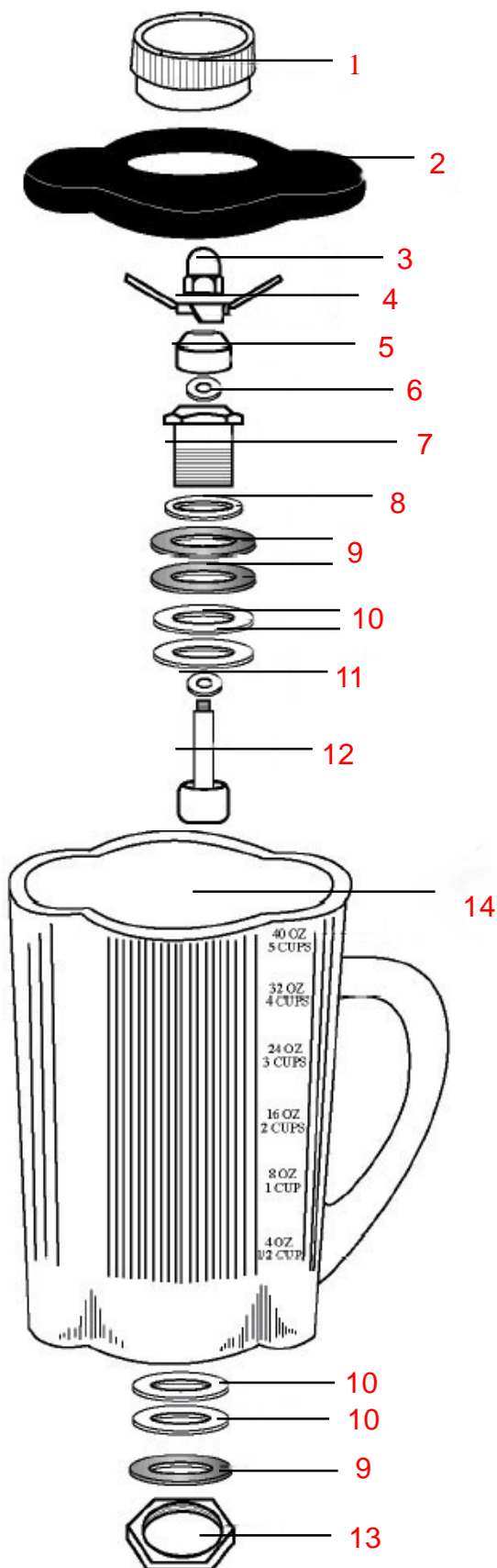
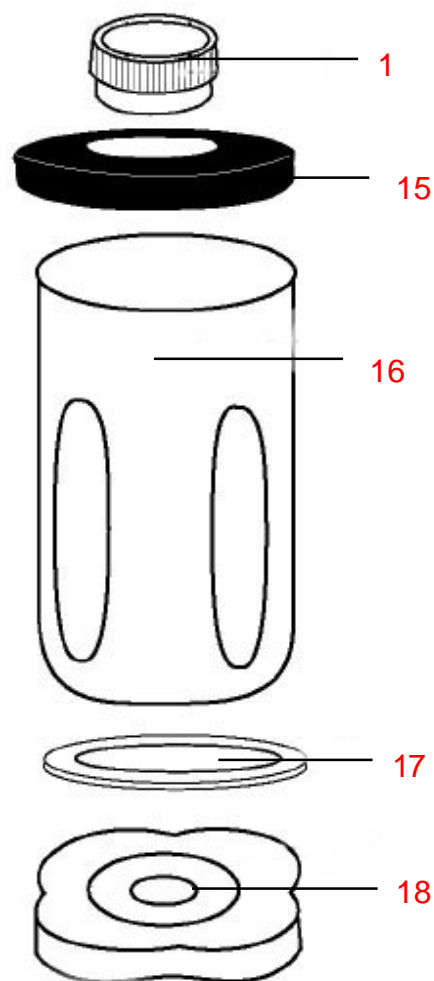
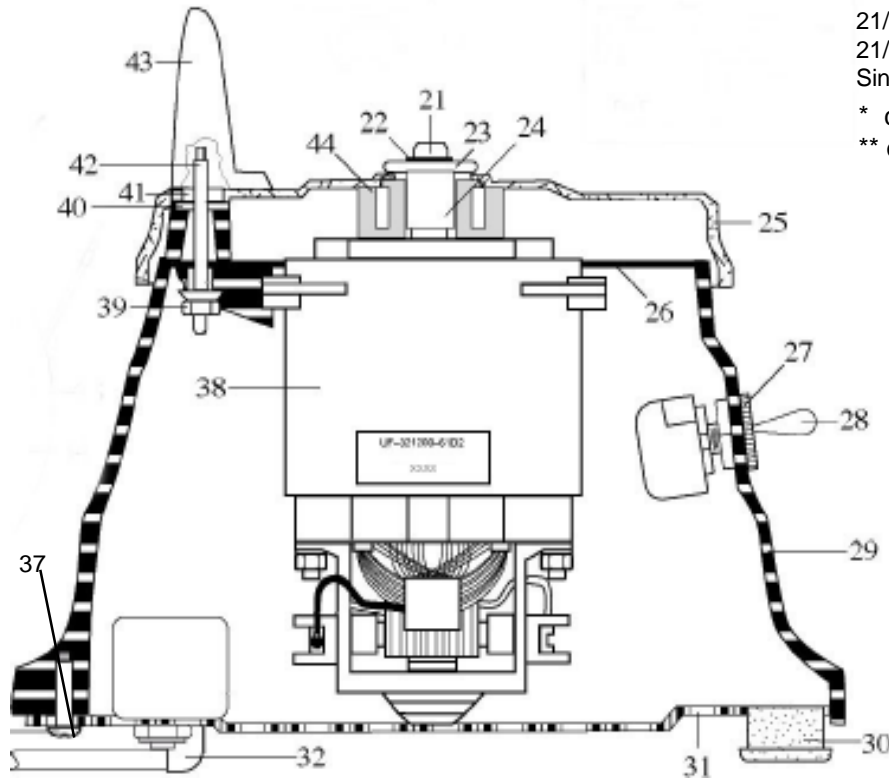


21/800EG with glass container
 21/800ES with stainless steel container



- | | | |
|----|-----------|----------------------------|
| 1 | 21/003146 | Center Lid |
| 2 | 21/003574 | Outer lid, clover leaf |
| 3 | 21/003504 | Cap nut |
| 4 | 21/007163 | Blade |
| 5 | 21/003503 | Bearing cap |
| 6 | 21/003508 | Washer, nitrile |
| 7 | 21/010012 | Bearing holder |
| 8 | 21/009724 | Washer, nylon |
| 9 | 21/003537 | Washer, st/steel (3 req) |
| 10 | 21/003509 | Washer, neoprene (4 req) |
| 11 | 21/003510 | Washer, linen |
| 12 | 21/03500 | Shaft |
| 13 | 21/009780 | Hex nut, left hand thread |
| 14 | 21/003573 | Glass container, 1 litre |
| 15 | 21/013443 | Outer lid |
| 16 | 21/012860 | St/Steel container 1 litre |
| 17 | 21/009762 | Gasket |
| 18 | 21/015055 | Container base adapter |





21/800EG
21/800ES
Single Speed Blender
* current production
** older units 38BL37

COMPLETE ASSEMBLIES

- 21/004315 2-piece lid glass container (1 and 2)
- 21/500778 Blending assembly (3 - 13)
- 21/500211 Glass container and blending assembly (3 - 14) (no lid included)
- 21/500665 2 piece lid, st/steel container (1 and 15)
- 21/500339 St/steel container and blending assembly (3 - 13 and 16 - 18)
- 21/008065 St/steel container and vinyl lid (1,3 - 13 and 15 - 18)
- 21/002518 Coupling Assembly (21 - 24)

- 21 21/002644 Square Drive Stud
- 22 21/003507 Washer
- 23 21/003514 Slinger
- 24 21/002882 Rubber coupling
- 25 21/017289 Top cover, plated
- 26 21/003563 Baffle
- 27 21/015098 Nut ring
- 28 21/003550 Switch, toggle
- 29 21/015264 Base
- 30 21/024645 Foot (3 req) *
- 21/002891 Foot (3 req) **
- 31 21/024530 Bottom plate, plastic *
- 21/018767 Bottom plate, metal **
- 32 21/013680 Strain relief
- 33 21/502577 Cord set *
- 21/501842 Cord set **
- 34 21/502561 EMI Filter *
- 21/501843 EMI Filter **
- 35 21/024368 Rerset switch *
- 21/018455 Reset switch **
- 36 21/012409 Crimp connector 4 req
- 37 21/013659 Screw, 3 req
- 38 21/024147 Motor
- 39 21/015165 Whizlock nut 4 req
- 40 21/012751 Spacer 4 req
- 41 21/002676 Spacer 4 req
- 42 21/003015 Jar pad stud 4 req
- 43 21/003120 Jar pad 4 req
- 44 21/018595 Housing seal

