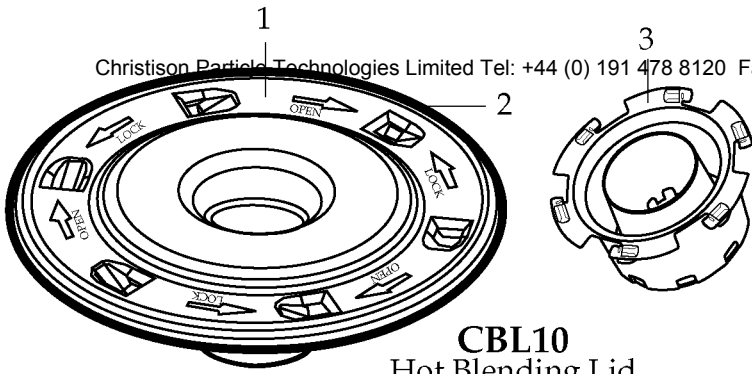
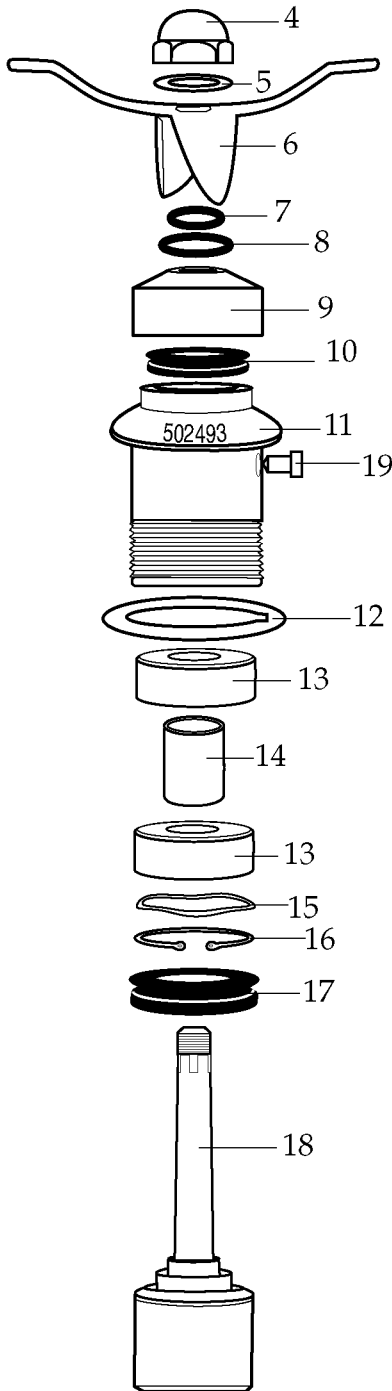




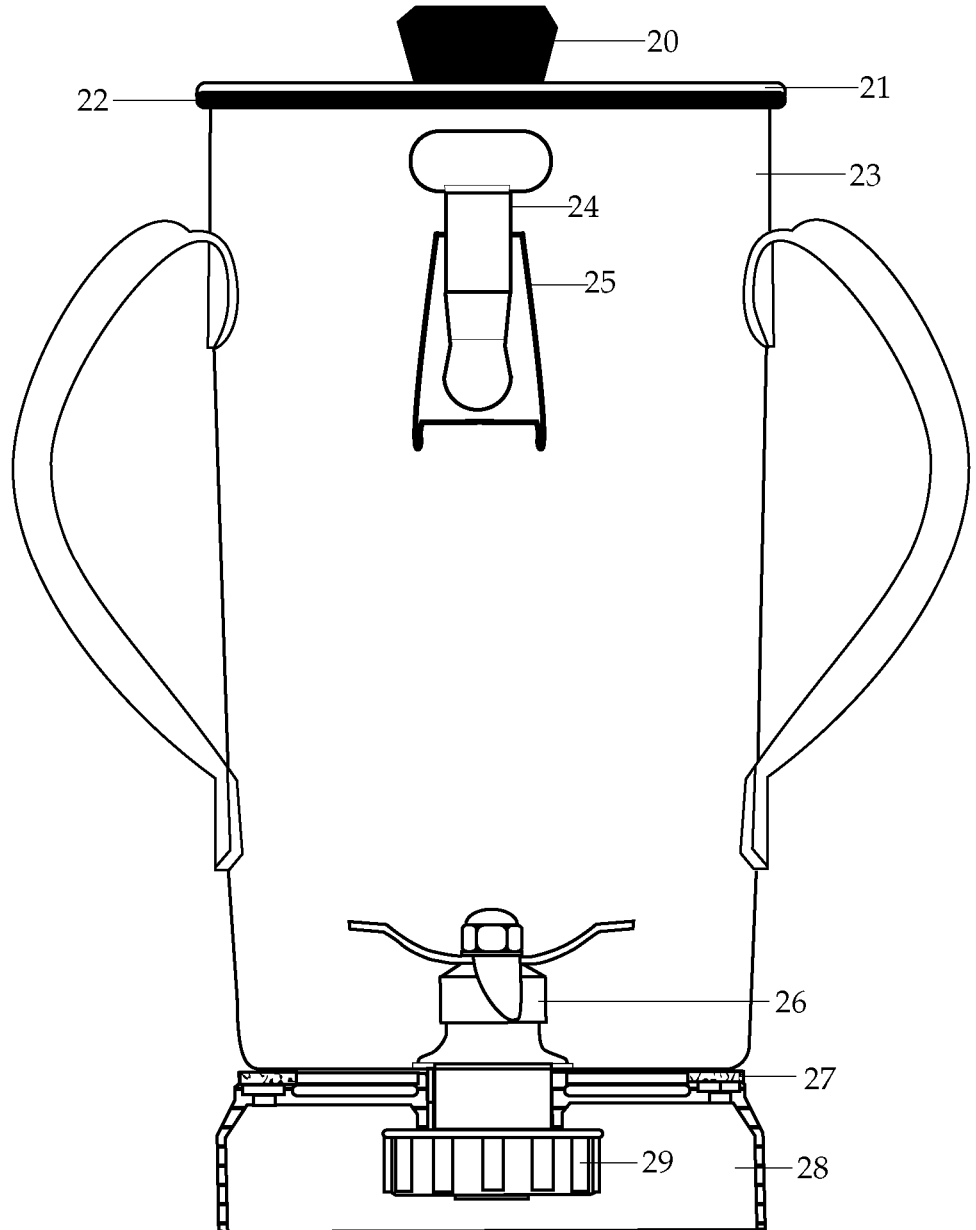
24CB10/240 Volt
24CB1B/24CB10 Base Unit ONLY
24CB9E/220 Volt Europe



CBL10
Hot Blending Lid
(optional)



502493
Blending Assembly
(replaces 501838)



502235 - Container with Blending Assy.
704587 - Container Complete with Plastic Lid
704350 - Container Complete with Stainless Steel Lid (optional)

Catalog#24CB10
24CB9E**Model**38BL60
38BL30

Christison Particle Technologies Limited Tel: +44 (0) 191 478 8120 Fax: +44 (0) 191 490 0543



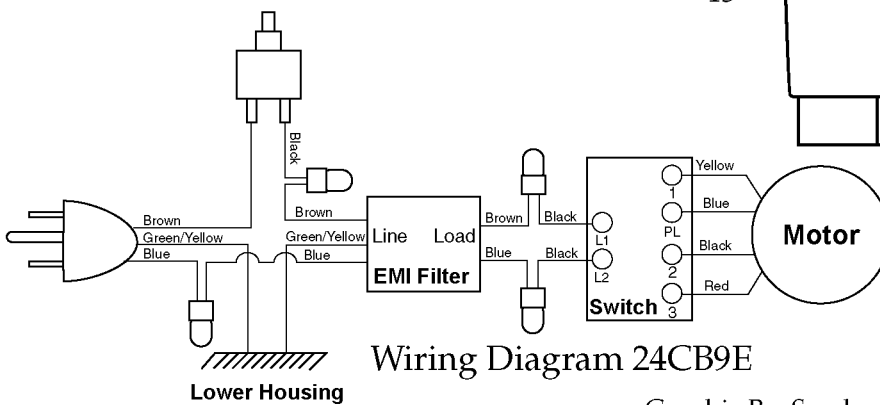
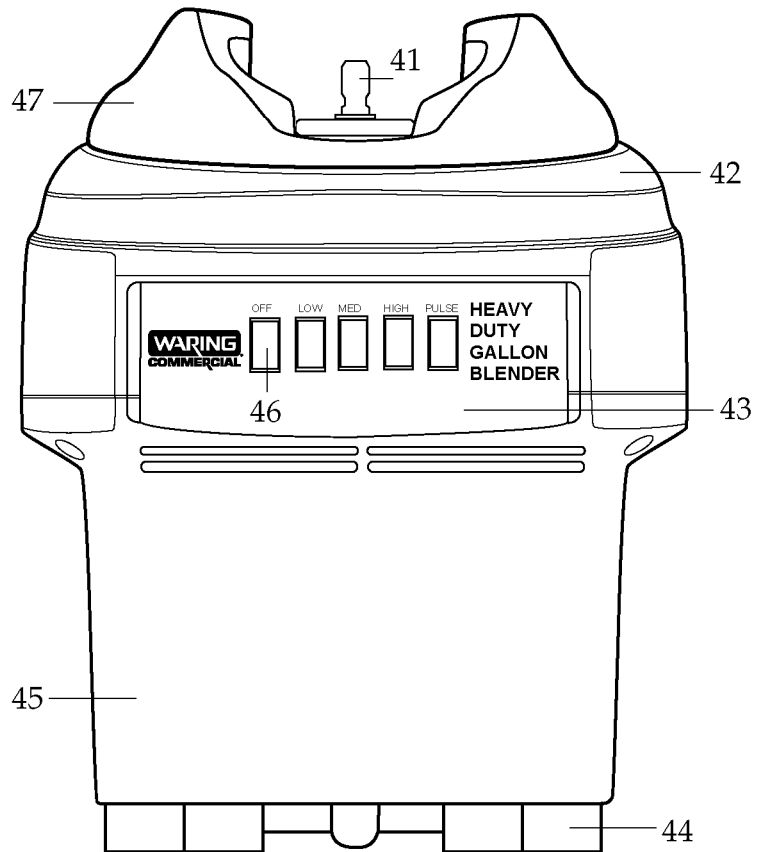
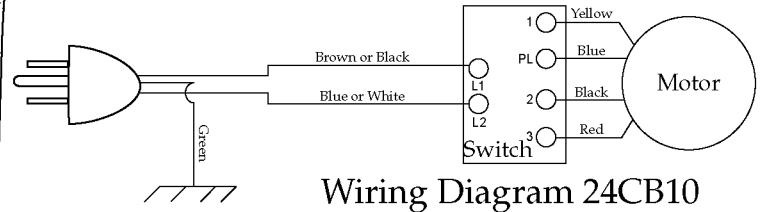
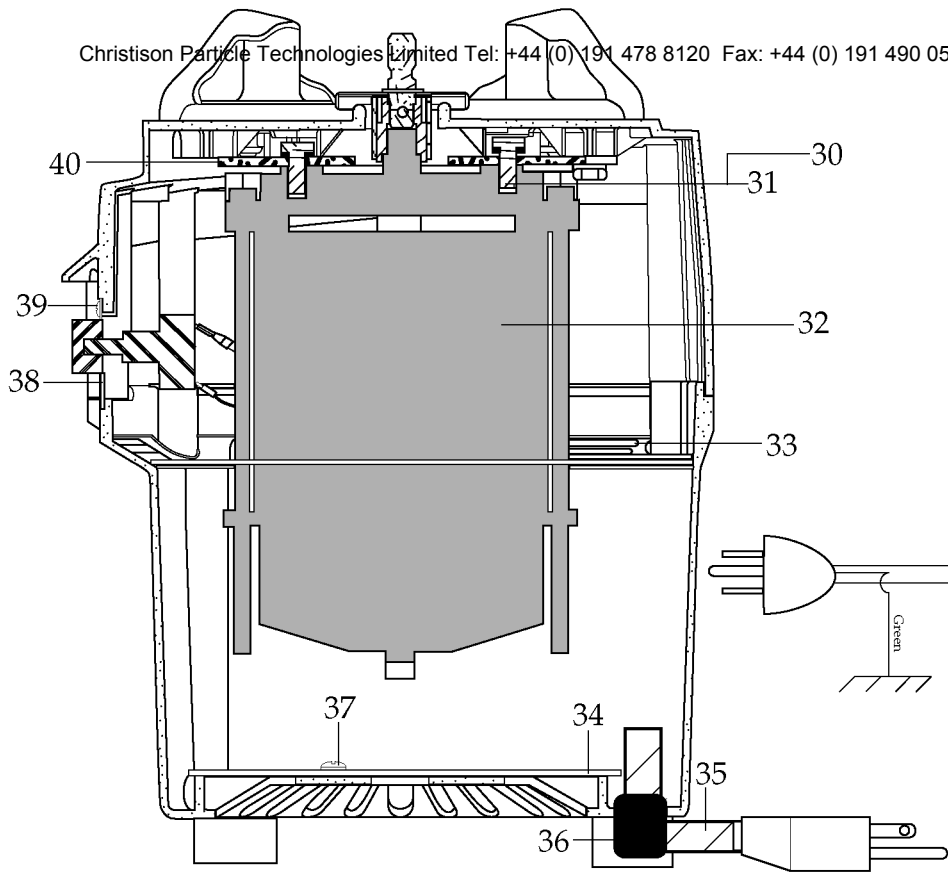
Illustration #	Part #	Description
1	018793	Outer Lid /polycarbonate for hot blending
2	019686	Gasket
3	018786	Baffle Cup for hot blending lid
4	002972	Cap Nut
5	018397	Washer /flat
6	024196	Blade
7	018388	"O" Ring
8	018389	"O" Ring
9	023903	Bearing Cap
10	018390	"V" Ring /small
11	023934	Bearing Holder
12	004946	Washer /teflon
13	018386	Bearing
14	023926	Spacer
15	023907	Spring Washer
16	023927	Retaining Ring
17	023906	"V" Ring /large
18	023933	Drive Shaft
19	025817	Key
20	013470	Stopper
21	023999	Plastic Outer Lid
	013469	Stainless Steel Outer Lid <i>(optional)</i>
22	019686	Gasket /plastic lid
	017442	Gasket /stainless steel lid <i>(optional)</i>
23	023909	Double Handle Container
24	502773	Bracket Assy. /spot welded to container /current production 3 Req.'d
	017847	Bracket Assy. /spot welded to container /older units 3 Req.'d
25	008791	Latch Wire 3 Req.'d
26	502493	Blending Assy. /complete
27	004949	Gasket /container base
28	025571	Container Support /container base
29	012008	Lock Nut
30	002984	Washer /holds mounting plate to motor 4 Req.'d
	002984	Washer /holds mounting plate & motor to top hsg. 4 Req.'d



24CB10/240 Volt

24CB1B/24CB10 Base Unit ONLY

24CB9E/220 Volt Europe



Catalog#**Model**

24CB10
24CB9E

38BL30
38BL30



Illustration #	Part #	Description
31	015434	Screw /holds mounting plate to motor 4 Req.'d
	015434	Screw /holds mounting plate & motor to top hsg. 4 Req.'d
32	501963	Motor
33	018792	Baffle
34	018791	Screen for 24CB10
	019188	Screen for 24CB9E
35	502783	Cord Set for 24CB10
	501955	Cord Set for 24CB9E
36	018811	Strain Relief
37	016317	Screw 3 Req.'d
38	018796	Switch Plate
39	008412	Screw /switch 2 Req.'d
40	018787	Mounting Plate
41	502750	Coupling
42	502827	Top Housing Assy. /comes with lock washers, screws, jar pad post & jar pad
43	018797	Name Plate
44	018790	Foot 4 Req.'d
45	018783	Bottom Housing
46	018794	Switch
47	025871	1 Piece Jar Pad

Items Not Shown

019190 - Cable Tie 3 Req.'d
013731 - Cable Tie 2 Req.'d /24CB10
Cable Tie 8 Req.'d /24CB9E
008412 - Screw /switch 2 Req.'d
016690 - Screw /ground wire /24CB10
Screw /ground wire & lead 2 Req.'d /24CB9E
015337 - Lock Washer /ground wire /24CB10
Lock Washer /ground wire & lead 2 Req.'d /24CB9E
019098 - Screw /hold top & bottom hsg. together 4 Req.'d
501953 - Filter and Bracket /24CB9E
002881 - Kep Nuts /bracket 4 Req.'d /24CB9E
016644 - Screw /bracket 4 Req.'d /24CB9E
501965 - Black Lead Assy. 3 Req.'d /24CB9E
019123 - Crimp Connector 4 Req.'d /24CB9E
019058 - Over Load Protector /24CB9E

Parts to old 501838 Blending Assy.
that are different from new Assy.*(that are still available)*

018396 - Blade
018387 - Spacer
018394 - Drive Shaft
018438 - Bearing Holder
018383 - Bearing Cap

501920 - Bearing Holder Assy.